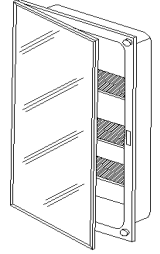


84024CHG RECESSED MOUNTED MEDICINE CABINET



FEATURES

- Recessed installation with recommended wall opening of 14" x 24" x 3-1/2"
- Easy to clean, one piece, steel construction.
- Body is 24 gauge steel with rust resistant white powder coat paint finish
- Door back is 30 gauge steel with white powder coat paint finish to match the cabinet
- 16" x 26" 2MM thick glass mirror on door exterior with standard bright stainless steel trim frame with tab closure
- 16" piano hinge is welded to the door and attached to the cabinet body with screws to allow for door replacement
- One magnetic door catch in the cabinet body aligns to a stainless steel striker plate on the door back
- Three adjustable glass shelves
- Multiple shelf positions are available through a series of punched lances in each side of the cabinet body that will support the shelves
- Reversible for left-hand or right-hand door opening
- Includes mounting screws

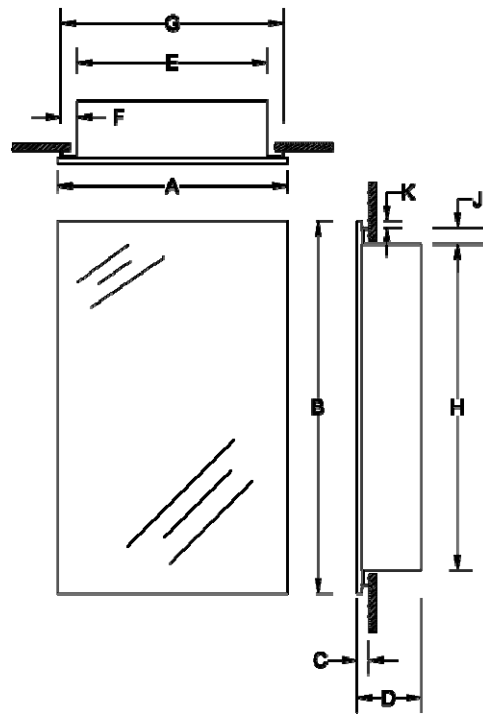
SPECIFICATIONS

Finishes:

Housing: PT01-Basic White

Mirror: Flat Mirror

Frame: SS8-Polish Stainless Steel Trim



| Model Number | DIMENSIONS IN INCHES* | | | | | | | | | |
|--------------|-----------------------|--------|---|-------|--------|---|--------|--------|---|-----|
| | A | B | C | D | E | F | G | H | J | K |
| 84024CHG | 16-1/8 | 26-1/8 | 1 | 4-1/2 | 13-1/2 | 1 | 15-1/2 | 23-1/2 | 1 | 1/2 |

| REFERENCE | QTY. | REMARKS | Project |
|-----------|------|---------|--------------|
| | | | Location |
| | | | Architect |
| | | | Engineer |
| | | | Contractor |
| | | | Submitted by |
| | | | Date |

* All models and material specifications are subject to change or withdrawal without notice.